



SPARE PARTS LIST



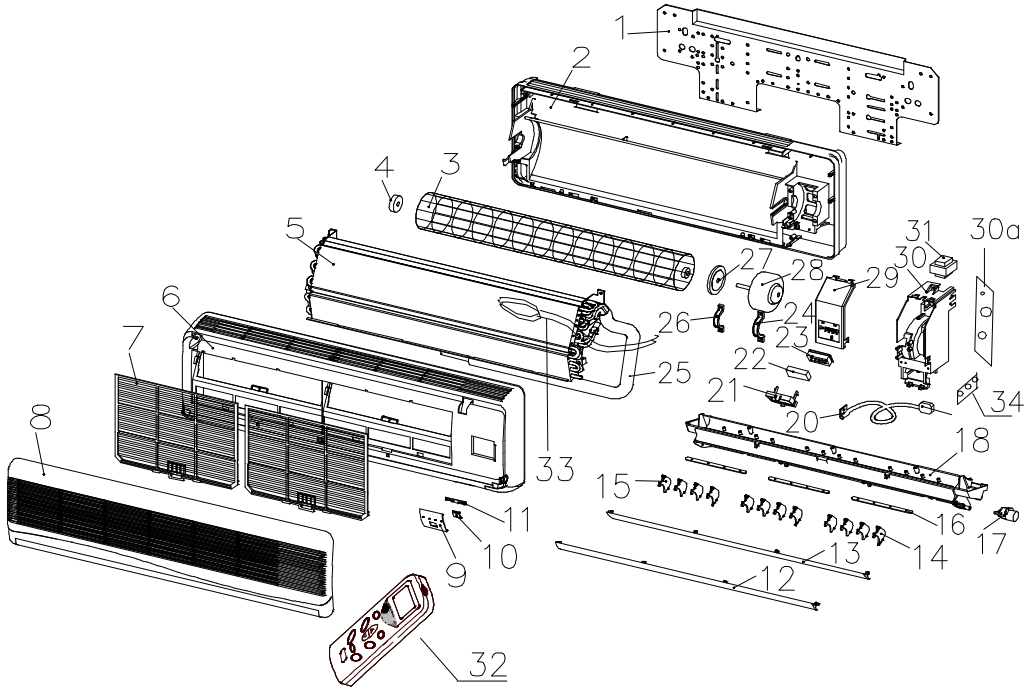
AIR CONDITIONER
220V~/60Hz

37653

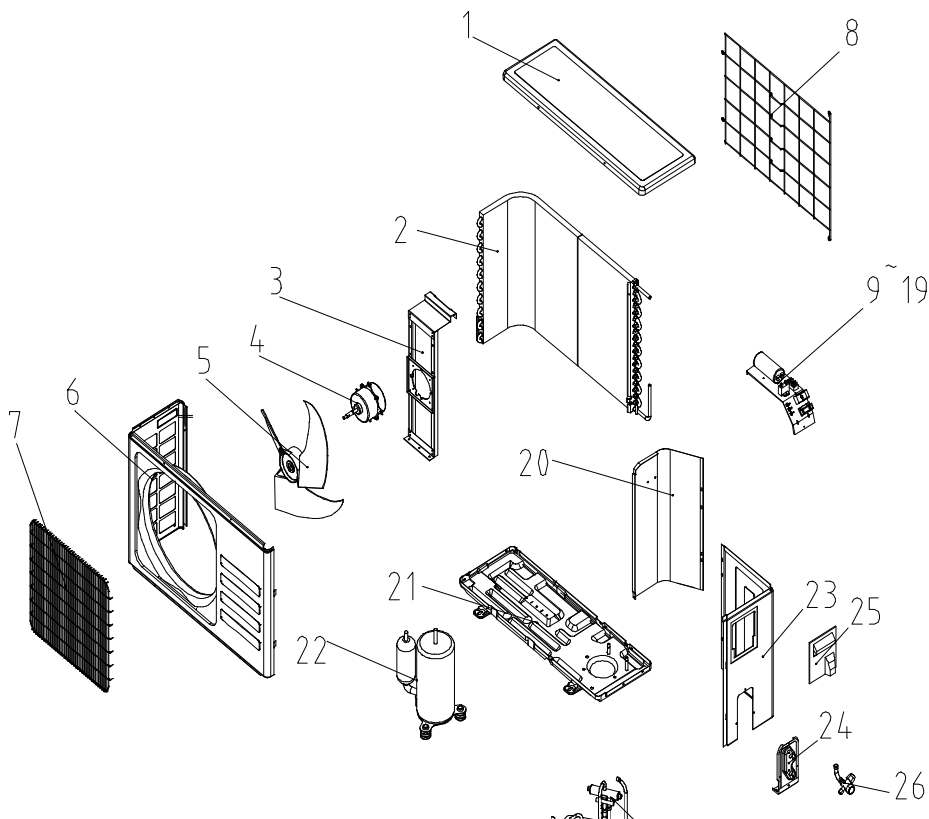
AIR CONDITIONER - CLASSIC RANGE

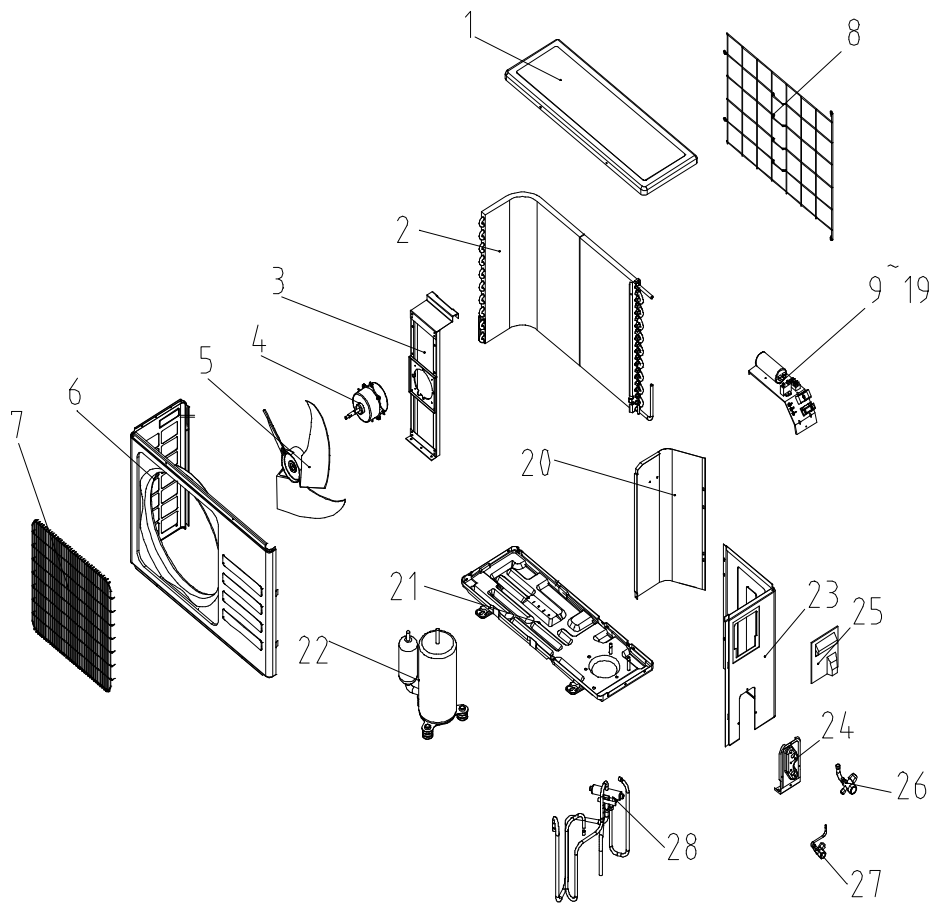
12000 BTU COOL ONLY - AMB 866

INDOOR UNIT



OUTDOOR UNIT





AIR CONDITIONER - CLASSIC RANGE

12000 BTU COOL ONLY - AMB 866

No.	DESCRIPTION	Part No.	Q'ty	PRICE(USD)	
1	Installation Plate	1203196	1	5	AMB866
2	Chassis	8100210	1	9	AMB866
3	Indoor Fan	1402151	1	13.2	AMB866
4	Indoor Fan Bearing	120236	1	0.4	AMB866
5	Evaporator Assembly	1301102	1	48	AMB866
6	Cabinet	2107127	1	7	AMB866
7	Air Filter	130637	2	2.4	AMB866
8	Front Cover(R)	8100629	1	5.5	AMB866
9	Display Panel	814081	1	0.5	AMB866
10	Signal Receiving Slot	140815	1	0.1	AMB866
11	Indicator Cover	2107102	1	0.1	AMB866
12	Horizontal Louver A	1201151	1	2	AMB866
13	Horizontal Louver B	1201152	1	2	AMB866
14	Vertical Deflector A	1201133	12	0.5	AMB866
15	Vertical Deflector B				AMB866
16	Louver Link	1201155	3	0.6	AMB866
17	Louver Motor	1402170	1	5	AMB866
18	Draining Pan	210669	1	5.2	AMB866
19	Power Supply Cord	1501545	1	3.5	AMB866
20	Cable Clamp	1203185	1	0.2	AMB866
21	Receiver PCB Support	1102109	1	0.2	AMB866
22	Display PCB Fixing Panel	1109133	1	0.3	AMB866
23	Terminal Board 6PU	150276(A)	1	1.2	AMB866
24	Ring B	1203205	1	0.2	AMB866
25	Pipe Assembly	81303219	1	5	AMB866
26	Ring A	1203204	1	0.2	AMB866
27	Bearing	N/A			AMB866
28	Indoor Fan Motor	1402153	1	23	AMB866
29	Electric Box Cover	2109106	1	1	AMB866
30	Electric Box	1005107	1	4.8	AMB866
30a	Control PCB	8140936	1	36	AMB866
31	Transformer	814052	1	6	AMB866
32	Remote Controller	81401387	1	12	AMB866
33	Thermistor	1411366	1	6	AMB866
34	Display PCB	814093	1	5	AMB866
1	Top Cover	810136	1	6	AMB866
2	Condenser	8130236	1	55	AMB866
3	Motor Stay Bracket	811022	1	6	AMB866
4	Outdoor Fan Motor	1402182	1	25	AMB866
5	Outdoor Fan	1402181	1	5.5	AMB866
6	Cabinet	810065	1	10	AMB866
7	Fan Guard	821075	1	3	AMB866
8	Back Lattice Plate	810093	1	2	AMB866
9	Electrical Assembly	8140117	1		AMB866
10	Electrical Assembly Plate	821022	1	1	AMB866
11	Electrical Assembly Seal	N/A			AMB866
12	Power Supply Cord Clamp 1	110963	1	0.2	AMB866
13	Power Supply Cord Clamp 2	1109147	1	0.2	AMB866
14	Terminal Board 2U	150217(A)	2	0.5	AMB866
15	Terminal Board 3PU	150264	1	1	AMB866
16	Fan motor Capacitor	141116	1	1.2	AMB866
17	Compressor Capacitor	1411105	1	7	AMB866
18	Power Supply Cord	1501545	1	2	AMB866
19	Capacitor Fixing Ring	812031	1	0.3	AMB866
20	Bulkhead	811091	1	3.6	AMB866
21	Chassis	8100216	1	14	AMB866
22	Compressor	1304241	1	108	AMB866
23	Right Side Plate	810032	1	5.2	AMB866
24	Valve Fixing Plate	811092	1	1.5	AMB866
25	Terminal Cover	821021	1	1	AMB866
26	3 Way Valve Assembly	8130915	1	7.2	AMB866
27	2 Way Valve Assembly	8130916	1	6	AMB866
28	Suction Pipe	81303240	1	3	AMB866
29	Discharging Pipe	81303241	1	3.5	AMB866
30	Capillary Assembly	81303237	1	3	AMB866