



Service Manual

Washing machine

Frontloader

AWM 243

| Model Version | | Page |
|--------------------------|-----------------|-------------|
| | AWM 243 | |
| | 8570 243 42001 | |
| | Technical data | 2 - 3 |
| | Spare part list | 4 - 5 |
| | Exploded view | 6 - 7 |
| | Wiring diagram | 8 |
| | Circuit diagram | 9 |
| | Program diagram | 10 |
| | Family | 1A |

Technical data

Dimensions

| | | |
|--------|------|----|
| Height | 85 | cm |
| Width | 59.5 | cm |
| Depth | 51 | cm |

Weight

| | | |
|-----------------|----|----|
| Without packing | 72 | kg |
|-----------------|----|----|

Main connection

| | | |
|-------------------|-----|----|
| Voltage | 230 | V |
| Frequency | 50 | Hz |
| Power consumption | 2.3 | kW |
| Fuse rating | 10 | A |

Drum

| | | |
|---------------------|-----|-----|
| Volume | 42 | l |
| Wash spin | 54 | rpm |
| Speed spinning max. | 500 | rpm |

Capacity of dry laundry

| | | |
|--------------------------|-----|----|
| Cotton/ coloured laundry | 4.5 | kg |
| Cotton rapid | 2.5 | kg |
| Easy care | 2 | kg |
| Delicate | 1.5 | kg |
| Wool | 1 | kg |

Pressostat

Quantity of water washing

| | | |
|--------------------------|------|---|
| Cotton/ coloured laundry | 6 | l |
| Easy care | 6 | l |
| Delicate/ Wool | 16.5 | l |
| Overflow | 30 | l |

Quantity of water rinse

| | | |
|--------------------------|----|---|
| Cotton/ coloured laundry | 16 | l |
| Easy care | 16 | l |
| Delicate/ Wool | 16 | l |
| Overflow | 30 | l |

Nominal current

Contacts:

| | | |
|---------|--------|---|
| 11 - 12 | 4 (4) | A |
| 11 - 14 | 16 (4) | A |
| 11 - 16 | 1 (1) | A |

Contactsystem:

| | |
|----------|----------------------|
| 11-12-14 | jump contacts |
| 11 - 16 | slow action contacts |

Door lock

| | | |
|-------------------------|-----------|----------|
| Lock time | 3" - 6" | (20°C) |
| Unlock time | 60" - 90" | |
| Nominal voltage | 230 | V |
| Nominal current contact | 4 - 5 | 16 (4) A |

Heating element

| | | |
|---------------------------|-----------------------------------|---|
| Kind of heating | Tubular heating element withfuses | |
| Nominal voltage | 230 | V |
| Nominal power | 2050 | W |
| Heat conductor resistance | 24.1 | Ω |

Inlet valve

| | | |
|--------------------------|-----------|-------|
| Water temperature | 60 | °C |
| Rated flow < 1 bar | 8 | l/min |
| Pressure range | 0.5 - 10 | bar |
| Nominal voltage | 220 - 240 | V |
| Frequency | 50 | Hz |
| Starting voltage < 6 bar | 160 | V |
| 6-10 bar | 170 | V |
| Nominal current | 35 | mA |
| Nominal power | 6 | VA |
| Nominal resistor(20°C) | 4060 | Ω |

Drain pump (synchronous)

| | | |
|-------------------------|----------|-------|
| Nominal voltage | 230 | V |
| Nominal current | 0.3 | A |
| Nominal consumption | 34 | W |
| Frequency | 50 | Hz |
| Resistor (coil) | 155 ± 7% | Ω |
| Motor protection | no | |
| Capacity (1.25m height) | 14 ± 2 | l/min |

Technical data

Program timer

| | | | |
|-----------------|--|----|--|
| Type | Electromechanical timer with time system | | |
| Fab. | EC 4522 (Timer 1a) | | |
| Nominal voltage | 230 | V | |
| Frequency | 50 | Hz | |
| Total positions | 60 | | |

Cotton/coloured laundry

| | | | |
|-----------|------|---------|--|
| Pre wash | pos. | 01 - 05 | |
| Main wash | pos. | 06 - 19 | |
| Rinse | pos. | 20 - 32 | |
| Spin | pos. | 33 - 36 | |
| Stop | pos. | 37 | |

Easy care

| | | | |
|-----------|------|---------|--|
| Pre wash | pos. | 01 - 05 | |
| Main wash | pos. | 06 - 19 | |
| Rinse | pos. | 20 - 32 | |
| Spin | pos. | 33 - 36 | |
| Stop | pos. | 37 | |

Delicate

| | | | |
|-----------|------|---------|--|
| Pre wash | pos. | - | |
| Main wash | pos. | 38 - 46 | |
| Rinse | pos. | 47 - 55 | |
| Spin | pos. | 56 - 59 | |
| Stop | pos. | 60 | |

Wool

| | | | |
|-----------|------|---------|--|
| Pre wash | pos. | - | |
| Main wash | pos. | 40 - 46 | |
| Rinse | pos. | 47 - 55 | |
| Spin | pos. | 56 - 59 | |
| Stop | pos. | 60 | |

Output

| | | |
|-------------|------------|--------|
| motor | | |
| - reversing | A2-D12/C12 | 230 V |
| - spin | A2-D11 | 230 V |
| pump | A4-B2 | 230 V |
| doorlock | A8-B12 | 230 V |
| pressostat | A4-B3 | 230 V |
| - empty | A4-B4 | 230 V |
| - full | A4-C3 | 230 V |
| valve | B2-B8 | >170 V |

Motor

| | | |
|------|----------------|--|
| Type | 2/16 - 158/ Wh | |
| | i = 1 : 6.5 | |

Resistance contacts:

| | | |
|-------|------|--------|
| 1 - 2 | 80 | ± 7% Ω |
| 1 - 3 | 41 | ± 7% Ω |
| 1 - 4 | 80 | ± 7% Ω |
| 1 - 5 | 17.5 | ± 7% Ω |
| 2 - 4 | 94 | ± 7% Ω |

Radio interference supression

| | | |
|--------------------|------------------|----|
| Type | KPB 7325 | |
| Nominal voltage | 230 | V |
| Nominal capacity | 100nFX1+2x22nFY2 | |
| Nominal resistance | 1 | MΩ |

Motor capacitor

| | | |
|-----------------|-----|-----|
| Capacity | 16 | μ F |
| Nominal voltage | 450 | V |

Variable thermostat

| | | |
|-------------------|---------|----|
| Nominal voltage | 230 | V |
| Nominal current | 16 (4) | A |
| Temperature range | 28 - 80 | °C |

Push button switch

| | |
|------------|-----|
| Start stop | SM |
| Half load | SHL |
| Rinse stop | SRS |

Spare part list**Model** AWM 243
Service No. 857024342001
Version 857024342001

| Pos. No. | 12NC Code | Description |
|----------|-----------------------|----------------------------|
| 001 0 | 4819 440 19716 | Cabinet |
| 003 0 | 4812 464 48099 | Traverse |
| 011 0 | 4819 462 48472 | Foot |
| 021 0 | 4819 440 19715 | Front |
| 021 1 | 4812 440 19343 | Flap |
| 024 0 | 4819 440 19892 | Panel, rear |
| 024 1 | 4819 418 79837 | Box hose |
| 025 0 | 4812 440 19346 | Holder Control Device |
| 030 0 | 4812 440 19531 | Cover plate |
| 040 0 | 4812 417 18787 | Hinge |
| 053 0 | 4819 440 19791 | Plinth |
| 061 0 | 4812 466 88458 | Counter weight upper |
| 061 1 | 4812 466 88459 | Counter weight front |
| 080 0 | 4812 529 18038 | Shock absorber 800-1000 |
| 084 0 | 4812 466 58001 | Silent bloc |
| 086 2 | 4812 401 18412 | Stopper |
| 110 0 | 4812 498 18139 | Handle,door white |
| 130 0 | 4812 417 28046 | Lock Door |
| 130 1 | 4812 417 28045 | Pin Door Lock |
| 131 0 | 4812 417 28047 | Plate Door lock |
| 131 1 | 4812 417 28048 | Plate Doorlock Lower |
| 141 0 | 4812 450 68219 | Door glass |
| 143 0 | 4812 440 19342 | Glassdoor frame |
| 144 0 | 4812 459 28043 | Frame,door glas |
| 144 1 | 4812 498 18137 | Knob Door safety |
| 144 2 | 4812 492 58023 | Spring Door Safety |
| 144 3 | 4812 290 68153 | Holder,adjust. Door Safety |
| 190 0 | 4812 460 68527 | Door bellow |
| 190 1 | 4812 492 18017 | Strap |
| 190 2 | 4819 530 58059 | Ring |
| 200 1 | 4819 418 18378 | Tub front |
| 200 2 | 4819 418 18381 | Tub non removable 400/500 |
| 200 4 | 4812 290 88054 | Clamp for tub WH |
| 220 0 | 4819 418 18329 | Drum |
| 223 0 | 4819 515 28267 | Agitator |
| 271 0 | 4812 358 18056 | V-ribbed belt WH 1250 J5 |
| 272 0 | 4819 528 88112 | Pulley |
| 292 0 | 4812 530 58101 | Gasket Tub |
| 301 0 | 4819 453 19794 | Control panel |
| 303 0 | 4819 498 78177 | Handle |
| 331 0 | 4819 412 58532 | Knob,timer |
| 331 1 | 4812 413 18198 | Adapter Button |
| 332 0 | 4812 410 28562 | Push button |
| 335 0 | 4819 412 58534 | Knob Thermostat |
| 354 1 | 4819 134 48501 | Pilot lamp |
| 401 0 | 4819 361 58182 | Motor |
| 420 0 | 4819 121 18267 | Capacitor |
| 421 0 | 4819 121 18271 | Interf.filter |
| 430 0 | 4812 360 18383 | Pump |
| 451 0 | 4819 259 28932 | Heating element |
| 490 0 | 4819 321 18234 | Cable,mains |
| 490 1 | 4812 321 28367 | Strain relief |
| 504 0 | 4819 282 18743 | Timer |
| 554 0 | 4819 282 48313 | Thermostat |
| 571 0 | 4812 271 28375 | Valve,magnet Single |

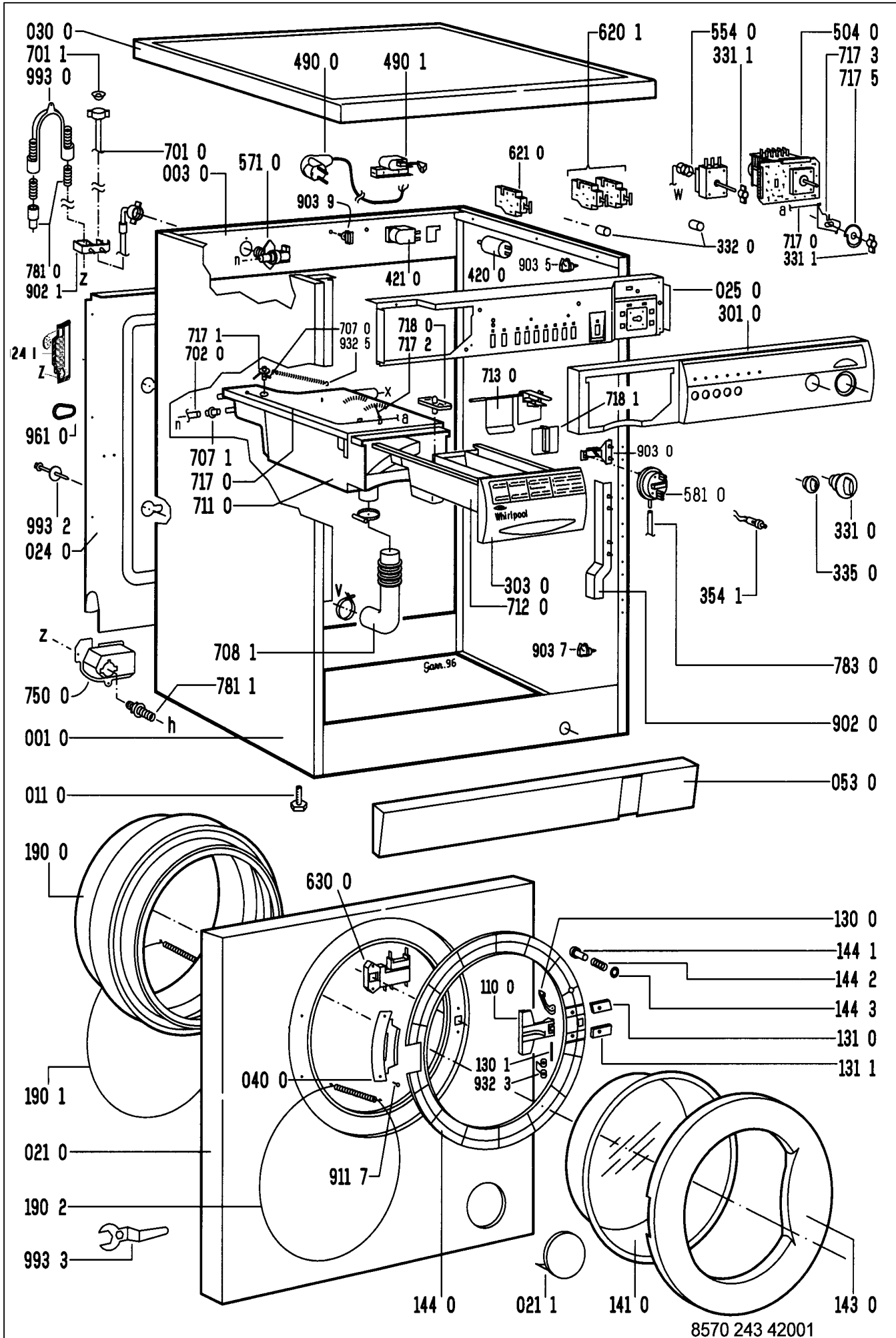
| Pos. No. | 12NC Code | Description |
|----------|-----------------------|----------------------------|
| 581 0 | 4812 271 28381 | Pressostat EATON |
| 620 1 | 4819 410 29005 | Switch Options N.C. |
| 621 0 | 4819 410 29004 | Switch ON/OFF |
| 630 0 | 4812 280 58019 | Door lock |
| 701 0 | 4819 530 28848 | Hose, inlet |
| 701 1 | 4819 466 69704 | Gasket and filter |
| 702 0 | 4819 530 29019 | Hose intern |
| 707 0 | 4812 526 48031 | Nozzle Distribution |
| 707 1 | 4812 526 48028 | Nozzle |
| 708 1 | 4812 530 48143 | Bend |
| 711 0 | 4812 418 88026 | Dispenser WH-4CH |
| 712 0 | 4812 418 78047 | Drawer |
| 713 0 | 4812 418 88028 | Flap Detergent Cont. |
| 717 0 | 4819 321 28092 | Bowden cable |
| 717 1 | 4812 321 38013 | Lever , Nozzle |
| 717 2 | 4812 321 38012 | Holder,adjust. |
| 717 3 | 4812 278 88007 | Slide |
| 717 5 | 4819 528 38444 | Cam |
| 718 0 | 4812 526 48032 | Siphon |
| 718 1 | 4812 418 88024 | Accessory |
| 750 0 | 4819 526 48474 | Container |
| 753 1 | 4819 418 68234 | Chamber,air |
| 754 0 | 4812 530 28826 | Drainhose |
| 754 1 | 4812 530 28832 | Lock eco |
| 754 2 | 4812 530 28829 | Flange eco |
| 760 0 | 4812 480 58075 | Filter Set Pump |
| 760 1 | 4812 418 68138 | Gasket Sieve / Rough |
| 781 0 | 4819 530 29032 | Hose,draining |
| 781 1 | 4819 530 28977 | Pipe,exhaust |
| 783 0 | 4812 530 28827 | Hose Pressostat |
| 787 0 | 4812 530 28813 | Hose |
| 794 5 | 4812 530 58095 | Gasket Air trap |
| 901 0 | 4819 401 18868 | Clamp,hose |
| 901 2 | 4819 401 18872 | Clamp,hose |
| 901 3 | 4812 401 18414 | Clamp,hose |
| 902 0 | 4812 290 88049 | Bracket |
| 902 1 | 4812 255 18204 | Holder Hose outlet |
| 903 0 | 4812 255 18205 | Holder Pressostat |
| 903 5 | 4812 290 88048 | Cable clamp |
| 903 7 | 4819 401 18823 | Clamp |
| 903 9 | 4812 290 88046 | Cable clamp |
| 910 1 | 4812 505 18368 | Nut M10 |
| 911 7 | 4812 903 08014 | Screw M5x12 |
| 923 0 | 4812 532 18024 | Washer |
| 931 0 | 4819 492 38139 | Spring Suspension |
| 932 3 | 4812 492 58022 | Spring Door Lock |
| 932 5 | 4812 492 38359 | Spring , Nozzle |
| 941 0 | 4812 520 28002 | Bearing,ball 6203 2Z C3 |
| 941 1 | 4819 520 18034 | Bearing 6202 2Z |
| 952 0 | 4819 466 69882 | Gasket thermostat |
| 953 0 | 4819 532 78223 | Ring |
| 961 0 | 4812 321 48004 | Cover |
| 990 0 | 4819 310 39227 | Mounting kit Weight top |
| 990 1 | 4819 310 39228 | Mounting kit Weight bottom |
| 993 0 | 4812 530 48017 | Bow |

Spare part list

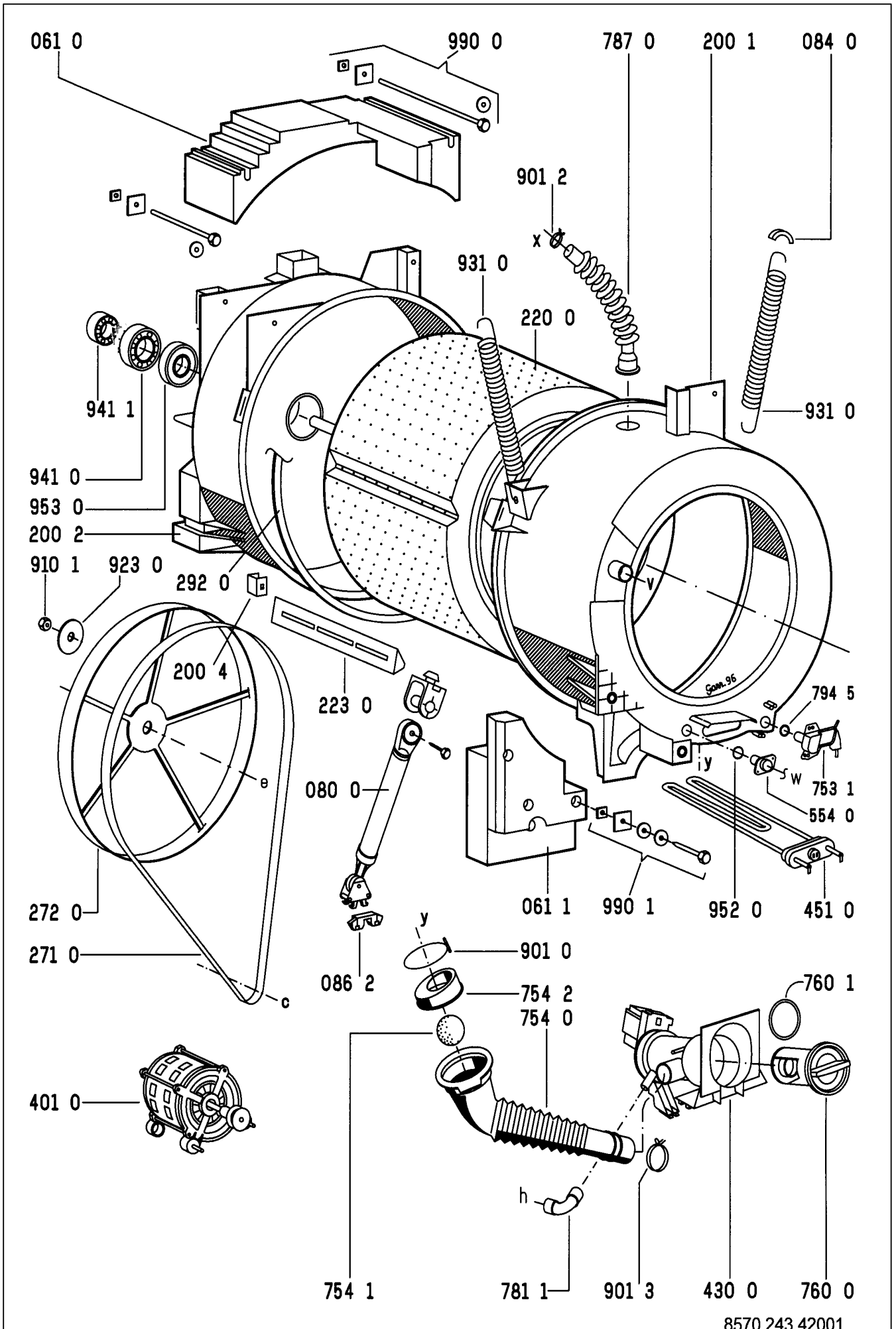
| | |
|-------------|--------------|
| Model | AWM 243 |
| Service No. | 857024342001 |
| Version | 857024342001 |

| Pos. No. | 12NC Code | Description |
|----------|-----------------------|----------------|
| 993 2 | 4812 268 18015 | Lever,security |
| 993 3 | 4812 395 58004 | Tool |

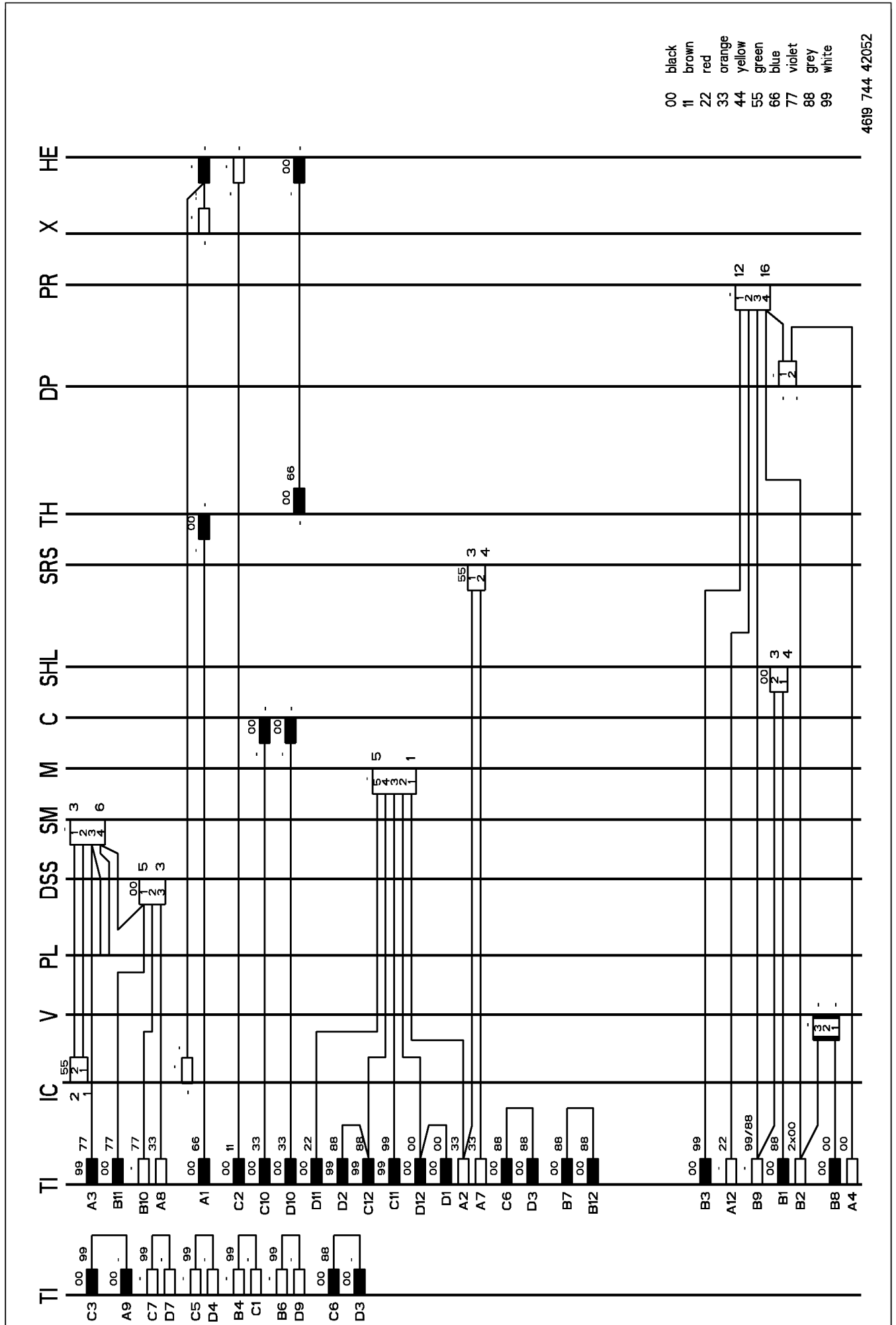
Exploded view



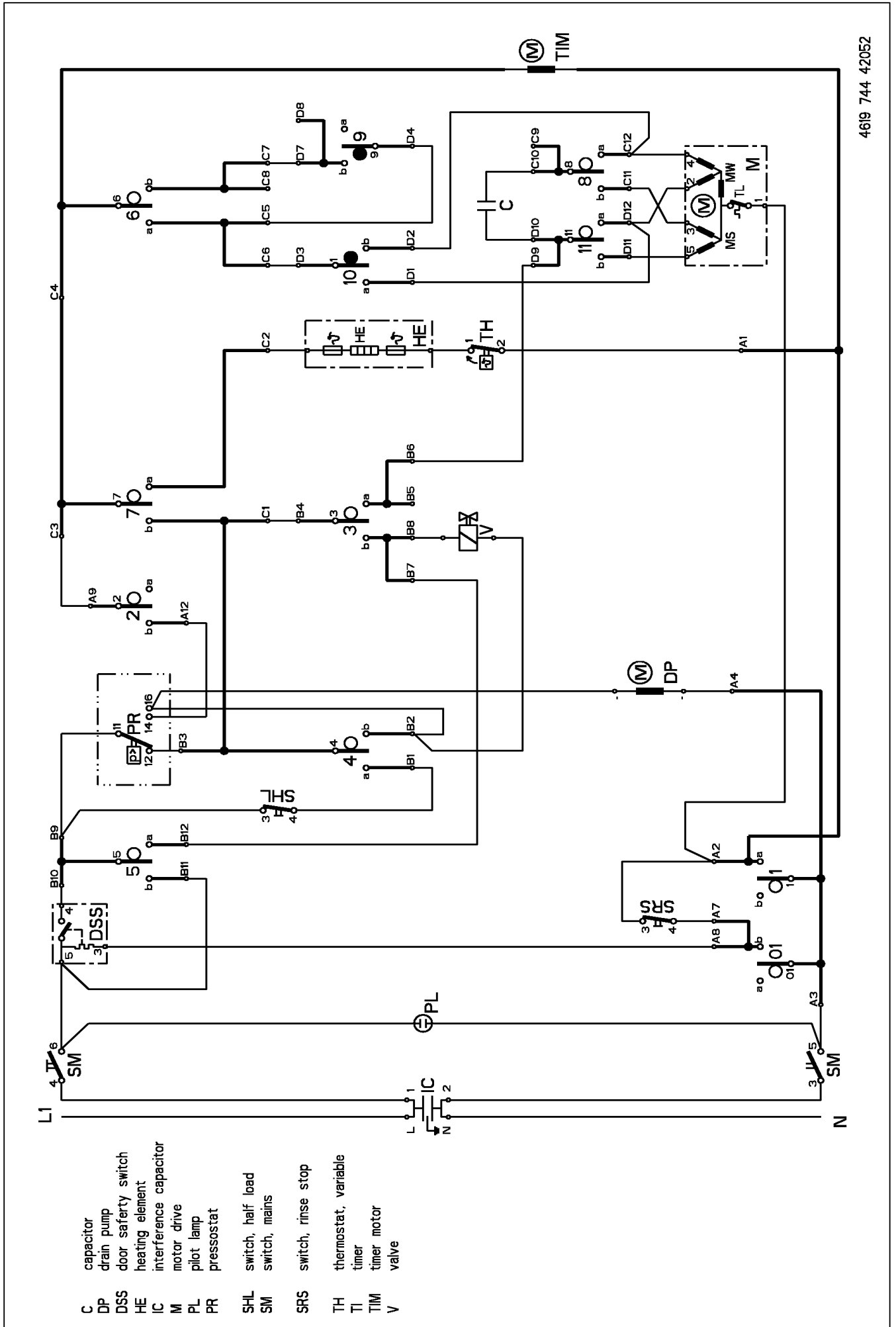
Exploded view



Wiring diagram



Circuit diagram



4619 744 42052

