



# **SERVICE AND PARTS MANUAL**

## **GLOBAL NO FROST DOUBLE DOOR REFRIGERATORS**

---


1.0	Safety precautions & warnings	2-3
2.0	Product specifications	4
3.0	Circuit diagram	7
4.0	Product dimensions	8
5.0	Packaging dimensions	9
6.0	Sealed system schematic layout	10
7.0	Trouble shooting -cooling system	11
7.1	Trouble shooting defrosting	12
8.10	Cabinet assembly parts diagram	13
8.11	Cabinet assembly parts list	14
8.20	Shelves part diagram	15
8.21	Shelves parts list	16
8.30	Freezer compartment parts diagram	17
8.31	Freezer compartment parts list	18
8.40	Control box parts diagram	19
8.41	Control box parts list	20
8.50	Compressor assembly parts diagram	21
8.51	Compressor assembly parts list	22


SAPCODE	MODEL	DESCRIPTION
4428	S-04-GNF24E WO	220L QUICKCHILL ELITE – WHITE
4429	S-04-GNF26E WO	250L QUICKCHILL ELITE – WHITE
4440	S-04-GNF32E WO	285L QUICKCHILL ELITE – WHITE

# Safety precautions and warnings:







**Read all instructions before using this appliance in order to avoid risk of accident or possible damage.**

## Warning / Caution

 **Warning** This symbol is intended to alert the user to the possible death or injury.

 **Caution** This symbol is intended to alert the user to the possible injury or damage.

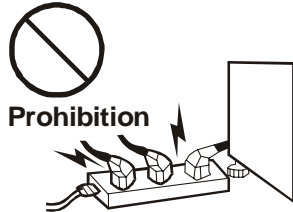
## Description of symbols

-  Indicates prohibition
-  Do not disassemble
-  Do not contact
-  Adhere the instruction strictly
-  Unplug from the electrical outlet
-  Earth the appliance to avoid the risk of an electric shock.

# **Warning**

**Do not plug multiple electric appliances into the same outlet.**

This may cause abnormal heating or fire hazard.



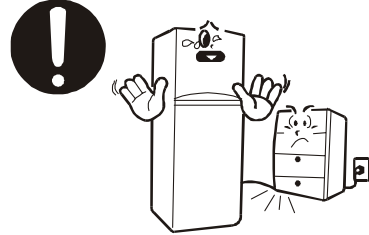
**Do not disassemble repair or alter.**

It may cause fire or abnormal operation which leads to injury.



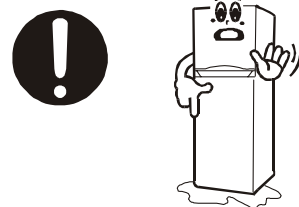
**Do not bend the power cord with excessive force or do not have the power cord pressure by heavy article.**

This may cause fire.



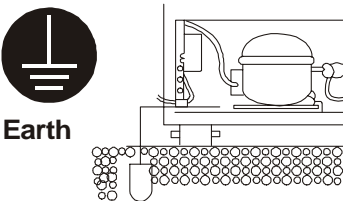
**Check the operating environment**

Do not install the refrigerator in a humid (with condensation) location or an unstable surface.



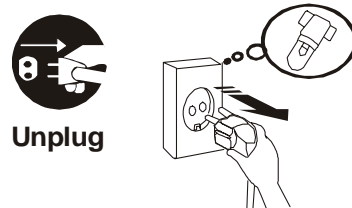
**Be sure to earth.**

If earthing is not done, it will cause break down and electric shock.



**Pull the power plug out for exchanging the interior lam of the refrigerator.**

It may cause electric shock



**! Caution**

**Do not store bottled food or drinks in the freezing compartment.**

Bottles may explode causing personal injury.



**Prohibition**

**Do not store food in unstable manner.**

Opening the door may trigger loose items to slip & cause injury.



**Prohibition**

**Do not store anything other than food in the refrigerator.**

Medical supplies, which need to be under strict temperature control, should not be stored in the refrigerator.



**Prohibition**

**Do not put on top of the refrigerator.**

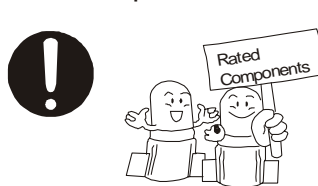
Opening or closing the door may trigger the loose items to slip & cause injury.



**Prohibition**

**When replacing electric components, be sure to use rated components.**

Check the model, rated voltage, rated current, operating temperature etc. of the component.



**When servicing the refrigerator completely remove dust or foreign substances from the housing, electric connections etc.**

This can protect against the risk of fire hazard caused by tracking and short circuit.



**Please wipe out foreign materials of the metal option of power plug cleanly.**

Use of it as it is may cause fire.



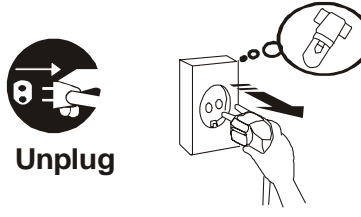
**After servicing the refrigerator be sure to check the components are reassembled in a correct manner.**

The service unit should be reassembled & return to its original assembly state.



**Check electrical ports for the trace of moisture penetration.**

When the trace of moisture penetration is detected, insulation tapping.



**Unplug**

## 2.0 Technical Specifications for 220L Elite Model

### Dimensions

Height 1408mm  
Width 550mm  
Depth 625mm

### Capacity 220L

Refrigerator compartment-150L

Freezer compartment-70L

Total – 220L

### Electrical Connection

Switch off Temperature  
Frequency- For every 8 hours.

### Power consumption

In 24 hours -1.36kwh

**\*With Control knobs in Mid Position**

### Compressor for service)

Type -QB66 of Matsushita  
(Oil cooled Type)

### Cooling agent

Type -R134a  
Quantity – 88Grams

### Thermostat Cooling

### Switching values

Cut in Temperature  
COLD:-3.9 to -7.3 Deg.Cen,  
MID: -2.4 to -0.9 Deg.Cen,  
WARM: 0.5 to 3.9 Deg.Cen

### Voltage

Max. Voltage- 260V

Min. Voltage- 160V

## Technical Specifications for 250L Elite Model

### Dimensions

Height: 1550mm

Width: 550mm

Depth: 625mm

### Capacity-250L

Refrigerator Compartment: 180L

Freezer Compartment: 70L

Total : 250L

### Electrical Connection

Switch off Frequency: For every 8 hours.

### Power consumption

In 24 hours - 1.3383 Kwh.

**\*With control knobs in "Mid Position"**

### Compressor

Type: QB66 of Matsushita(Oil cooled type)

### Cooling agent

Type R134a

Quantity 88Grams

### Thermostat Cooling

Cut in temperature

COLD:-7.3 to -3.9 Deg.Cen

MID :-0.8 to 0.8 Deg.Cen

WARM:2.8 to 6.2 Deg.Cen

### Voltage

Maximum: 260V

Minimum: 160V

## Technical Specifications for 285L Elite Model

### Dimensions

Height: 1725mm

Width: 550mm

Depth: 625mm

### Capacity-285L

Refrigerator Compartment: 215L

Freezer Compartment: 70L

Total : 285L

### Electrical Connection

Switch off Frequency: For every 8 hours.

### Power consumption

In 24 hours - 1.4392 Kwh.

**\*With control knobs in "Mid Position"**

### Compressor

Type: QB66 of Matsushita(Oil Cooled type)

### Cooling agent

Type R134a

Quantity 88Grams

### Thermostat Cooling

Cut in temperature

COLD :-1.7 to 1.7 Deg.Cen

MID : 2.0 to 3.6 Deg.Cen

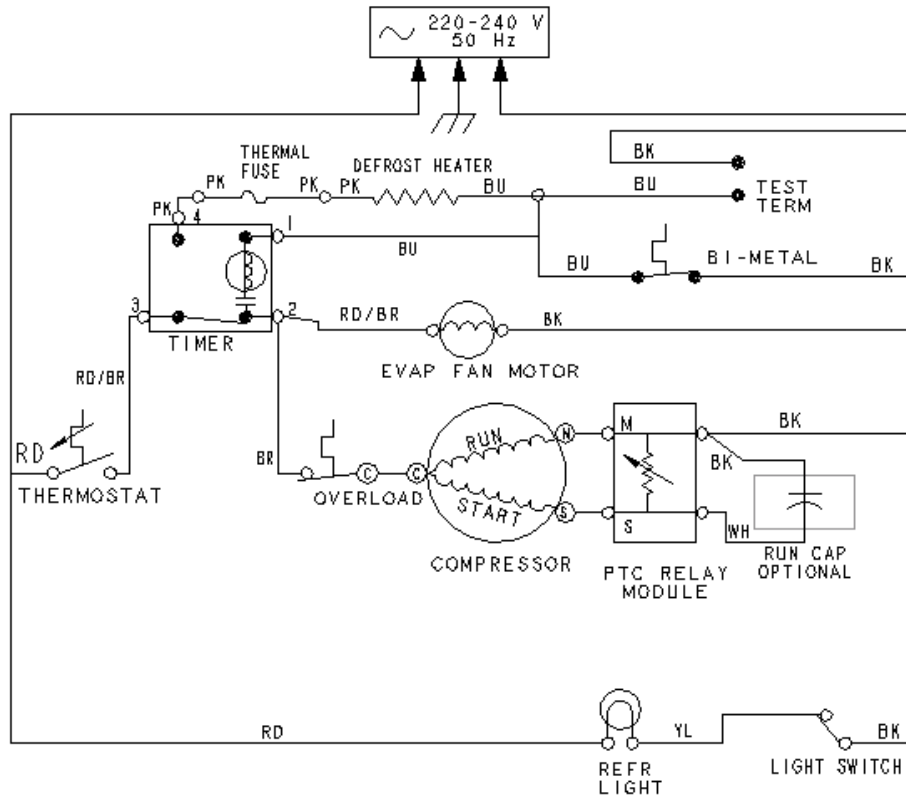
WARM : 2.8 to 6.2 Deg.Cen

### Voltage

Maximum: 260V

Minimum : 160V

# WIRING DIAGRAM



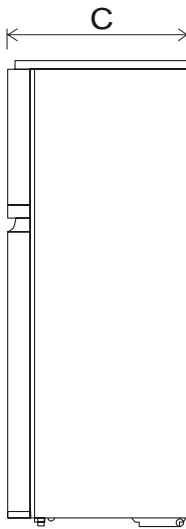
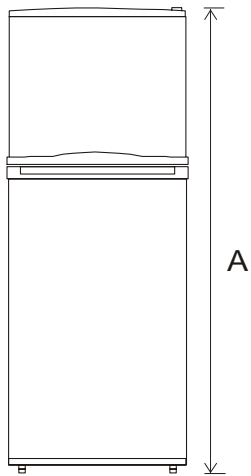
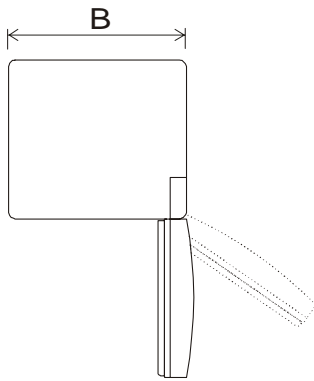
## SYMBOL CODE

- ⊙ = CONNECTOR - SCREW ON
- ⊗ = CONNECTOR - CLOSED END
- ◇ = DISCONNECT TERMINAL
- = PERMANENT CONNECTION
- ↘ = PLUG CONNECTOR
- ⏏ = GROUND (CHASSIS)

## WIRE COLOR CODE

- GN = GREEN
- BU = BLUE
- BK = BLACK
- RD = RED
- WH = WHITE
- YL = YELLOW
- BR = BROWN
- PK = PINK
- RD/BR = RED/BROWN TRACER
- BR/BK = BROWN/BLACK TRACER

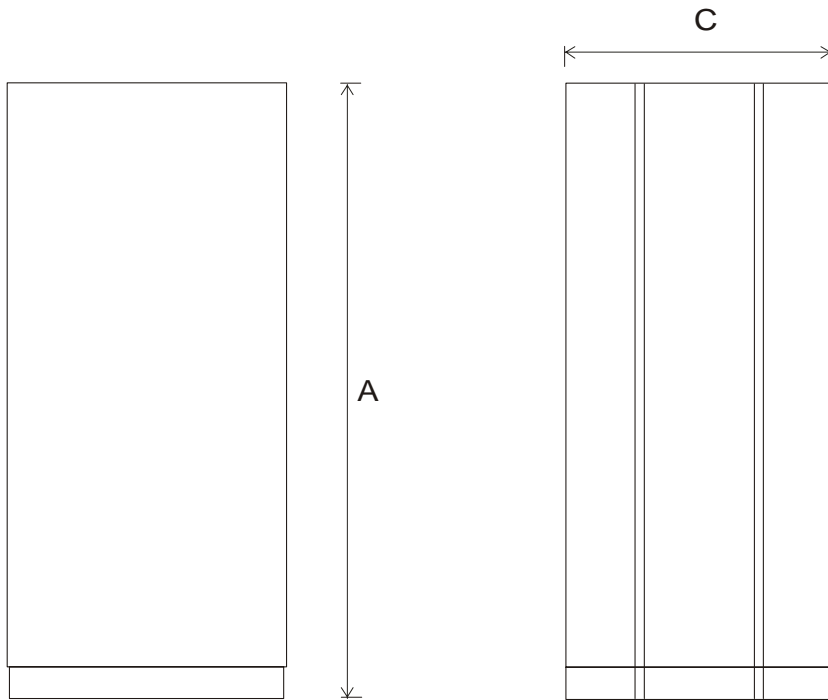
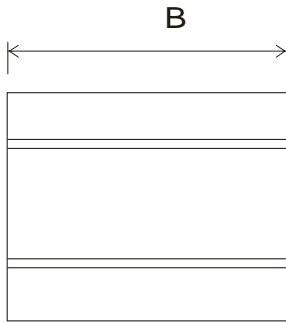
## 4.0 Product Dimension



	<b>Height (A)</b>	<b>Width (B)</b>	<b>Depth (C)</b>
<b>220 Liter</b>	1395 mm	550 mm	625 mm
<b>250 Liter</b>	1537 mm	550 mm	625 mm
<b>285 Liter</b>	1662 mm	550 mm	625 mm

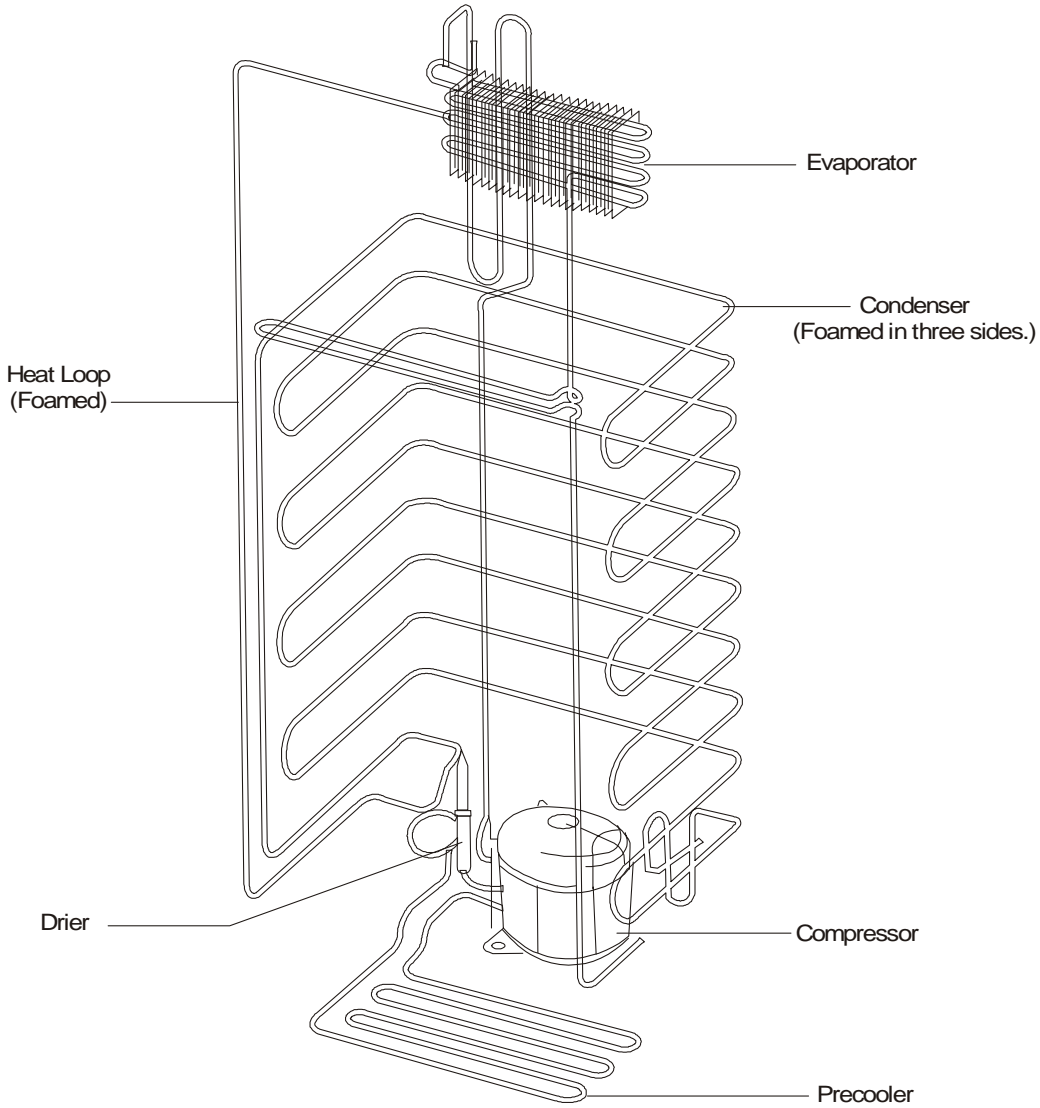


## 5.0 Packaging Dimensions :



	<b>Height (A)</b>	<b>Width (B)</b>	<b>Depth (C)</b>
<b>220 Liter</b>	1493 mm	628 mm	695 mm
<b>250 Liter</b>	1609 mm	628 mm	695 mm
<b>285 Liter</b>	1734 mm	628 mm	695 mm

# 6.0 Sealed System Schematic Layout :

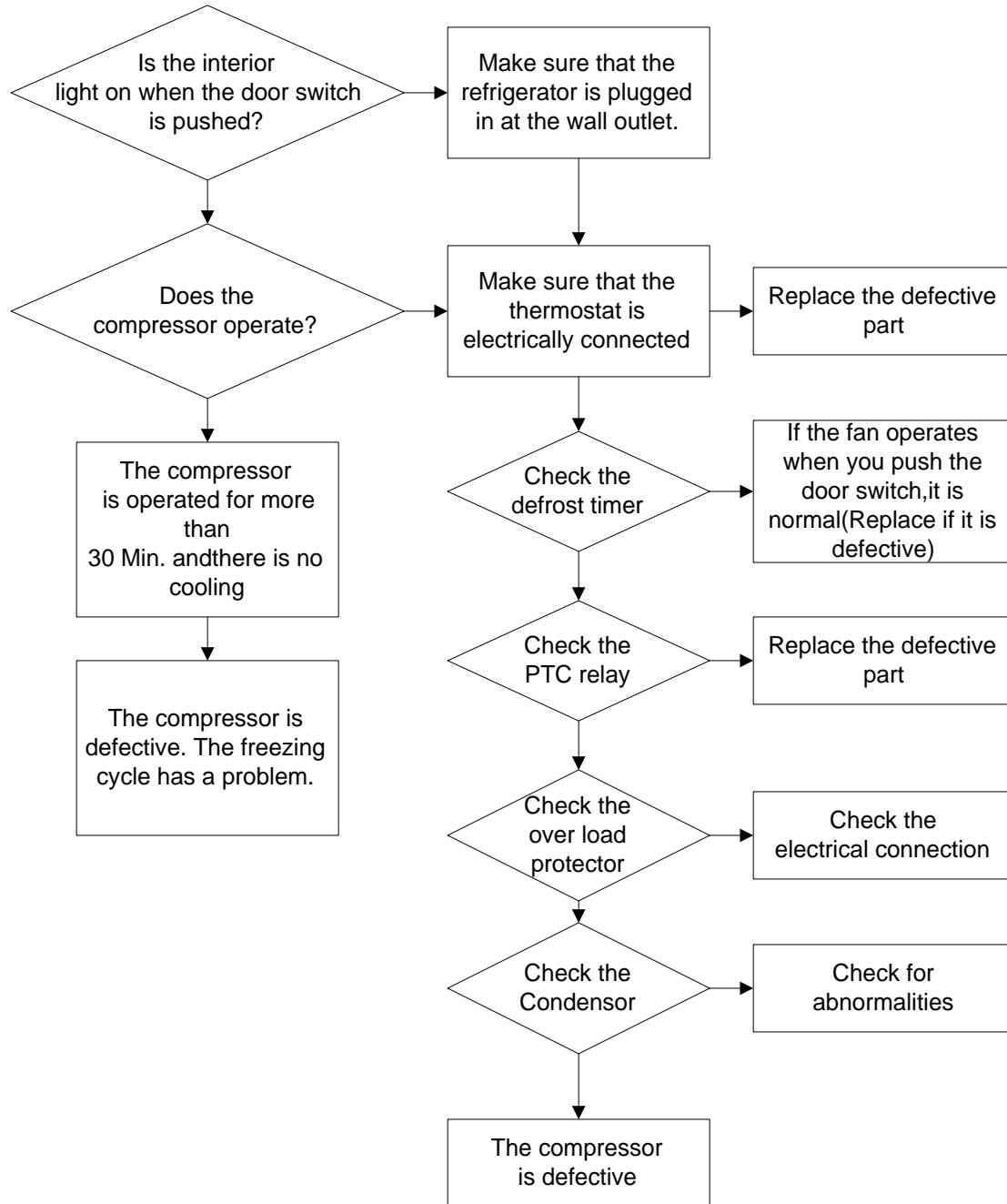


## 7. Trouble shooting method

---

### 7.0 The refrigerator does not operate

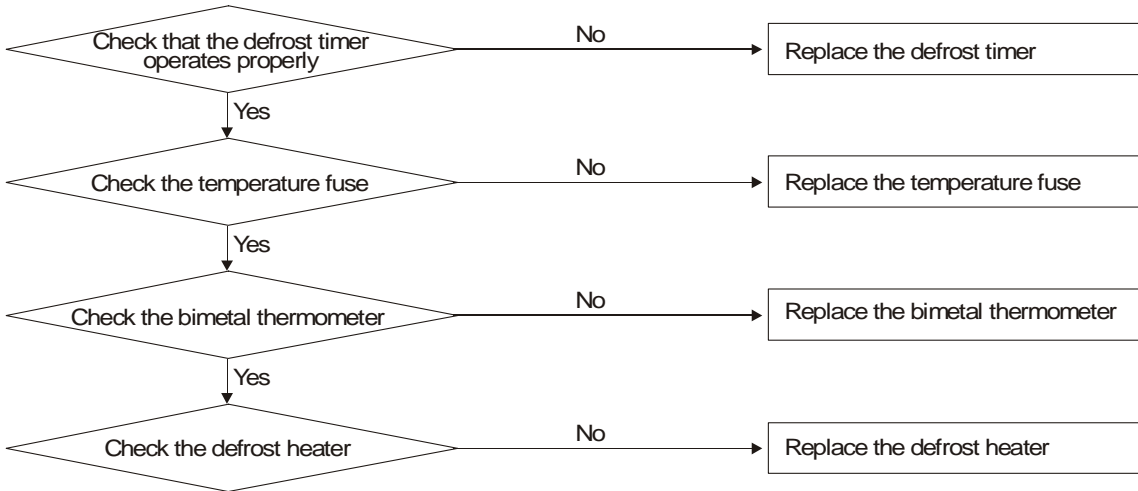
---



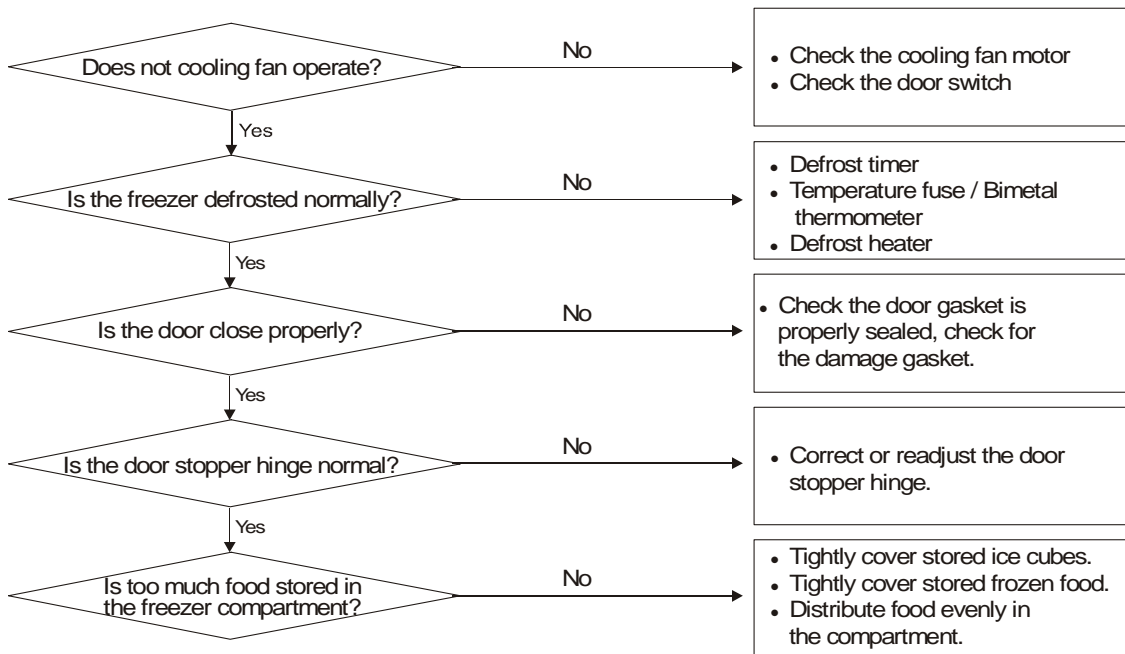
## 7.0. Trouble check for the cooling cycle :

Symptom	Cause	Suggestions
<ul style="list-style-type: none"> <li>• The EVAP cools down and warms again.</li> <li>• The condenser warms in proportion as the EVAP cools.</li> <li>• The process continues to repeat.</li> </ul>	Moisture in the refrigerant cause the malfunction.	Replace the refrigerant.
<ul style="list-style-type: none"> <li>• The condenser is cold.</li> <li>• The EVAP is not cold.</li> <li>• The temperature of the compressor is high.</li> </ul>	Foreign substances hamper the cooling cycle.	Locate the disturbed section and make repairs.
<ul style="list-style-type: none"> <li>• No difference in temperatures between suction pipe and discharge pipe.</li> <li>• The temperature of the compressor is maintained at room temperature.</li> <li>• The EVAP does not cool down.</li> </ul>	The compressor is defective.	Replace the compressor.
<ul style="list-style-type: none"> <li>• Frost on the suction pipe.</li> <li>• The condenser is overheated.</li> <li>• The refrigeration in the EVAP is not efficient.</li> </ul>	To much refrigerant.	Replace the refrigerant.
<ul style="list-style-type: none"> <li>• The condenser is cold.</li> <li>• The compressor surface temperature is high.</li> <li>• The refrigerator is not easily get cooled.</li> </ul>	Refrigerant licks (Slight refrigerant leakage causes partial cooling with frost on the EVAP)	After welding the licked parts, replace the refrigerant.

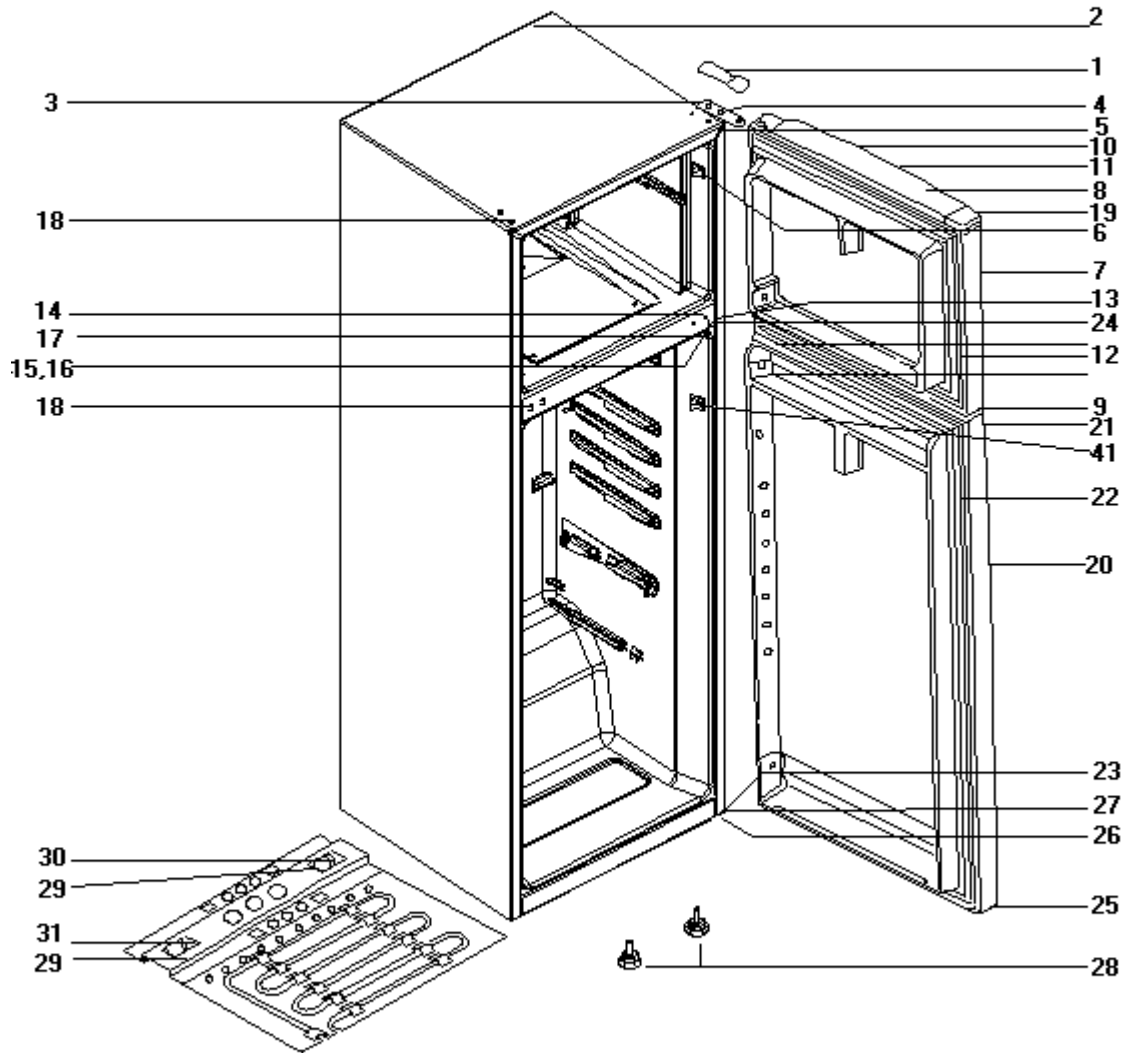
## 7.1 Defrosting mechanism does not work :



## 7.2 Defrosting mechanism does not work :



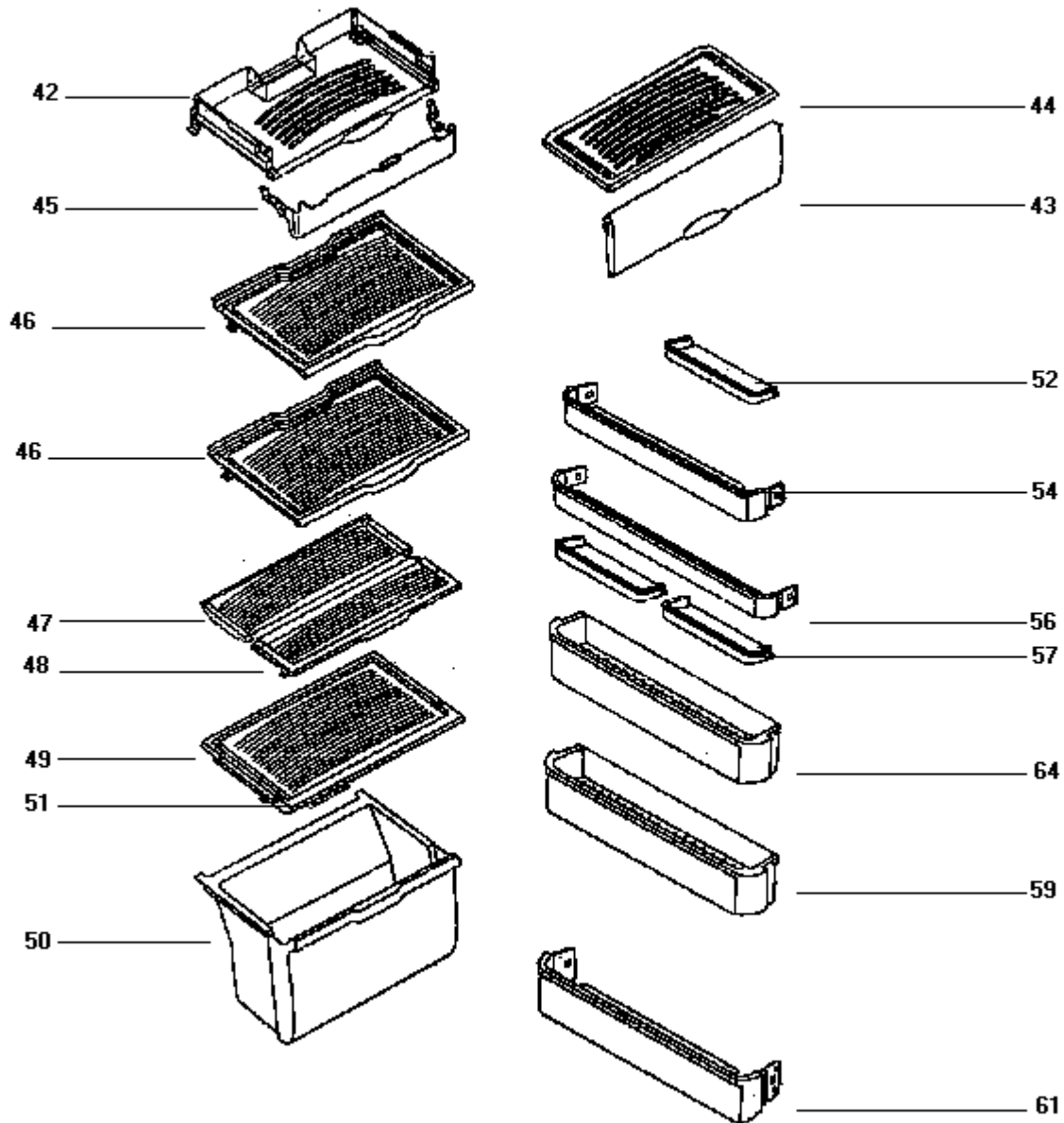
## 8.10 Cabinet Assembly Parts :



## 8.11 CABINET ASSEMBLY PARTS

SL_NO	Part_No	description	4428	4429	4440
1	A2015002000	KIT CAB BODY ASSY 285 WHITE PREPAINTED			1
1	A2039562000	KIT- CAB BODY ASSY-250L,PREPAINTED WHITE		1	
1	A2039572000	KIT-CAB BODY ASSY-220L,PREPAINTED WHITE	1		
3	A201416000G	HINGE ASSY-TOP	1	1	1
5	A201107200B	FILLER- WRAPPER CORNER- WHITE	2	2	2
6	A2035500000	SWITCH ROCKER ARM, NC- ESBE	1	1	1
7	A2080632000	DOOR ASSEMBLY FC (FIP) 2G - WHITE	1	1	1
8	A2080452000	END CAP FC-TOP, WHITE	1	1	1
9	A2080462000	END CAP - FC BOTTOM, WHITE	1	1	1
12	A201697000A	GASKET DOOR FC	1	1	1
13	A2110182000	SUB ASSY - CENTRE HINGE, WHITE	1	1	1
14	A2013560000	SCREW- HEX WASHER HEAD	13	10	10
15	A201156200D	STOP - DOOR ,FC- RH SWING- WHITE	1	1	1
17	A201155200F	DETENT- DOOR STOP, WHITE	1	1	1
18	9400140000	HOLE PLUG	1	1	1
20	A2080602000	DOOR ASSEMBLY RC (FIP) 220L 2G - WHITE	1		
20	A2080612000	DOOR ASSEMBLY RC (FIP) 250L 2G-WHITE		1	
20	A2080622000	DOOR ASSEMBLY RC (FIP) 285L 2G - WHITE			1
21	A2080472000	END CAP - RC TOP, WHITE	1	1	1
22	A201698000A	GASKET DOOR RC-285L			1
22	A201699000A	GASKET DOOR RC-250L		1	
22	A201700000A	GASKET DOOR RC-220L	1		
23	A201368000E	STOP- DOOR- RC	1	1	1
25	A2080472000	END CAP - RC TOP, WHITE	1	1	1
26	A2017410000	HINGE SUB ASSY, BOTTOM - 2G	1	1	1
27	A201361000B	SCREW- PHILIPS PAN HEAD	16	16	9
29	2150304000	ROLLER BACK	2	2	2
31	A2015670000	RIVET- AXLE, ZINC	2	2	2
35	A2010870000	SLEEVE- HINGE	2	2	2
36	A2019930000	ASSY, PLATE - LEVELER - 2G	1	1	1
37	A2036320000	USE & CARE GUIDE-Eng/Fren/Arabic	1	1	1
38	A201610000D	HOLE PLUG SLEEVE HINGE, WHITE	2	2	2
39	A2010870000	SLEEVE- HINGE	2	2	2

## 8.20 Shelves :

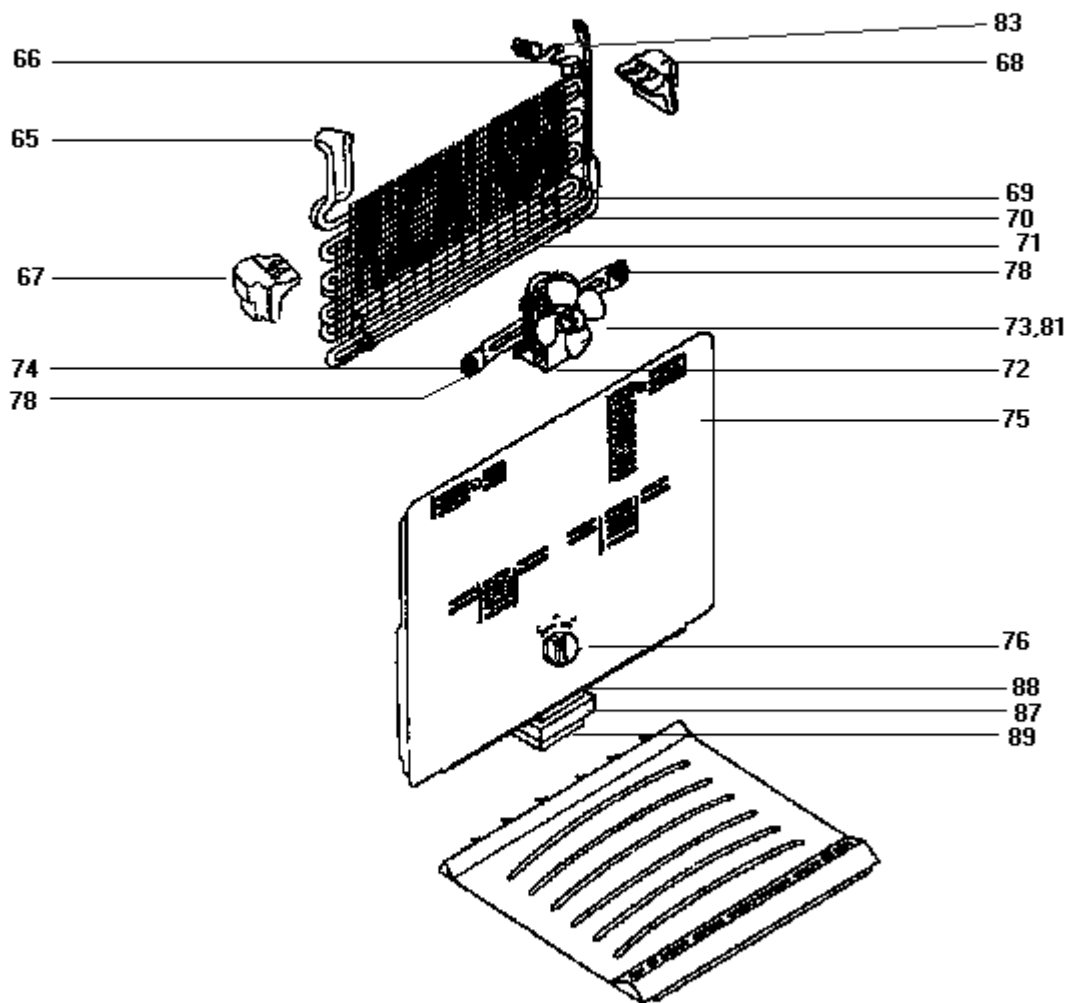




## 8.21 SHELVES PARTS

SL_NO	Part_No	description	4428	4429	4440
42	A201224000E	PAN CHILLER- 220/250L	1	1	
42	A201012000A	PAN CHILLER 285L			1
44	A201071000E	SHELF - QUICK FREEZE	1	1	1
45	A201069000G	DOOR -QUICK FREEZER	1	1	1
46	A201247000C	SHELF - RC, WIRE	2	2	2
47	A201243000A	SHELF - BACK, TRIPLE	1	1	1
48	A201242000B	SHELF - FRONT ,TRIPLE WIRE	1	1	1
49	A201036000J	COVER -CRISPER		1	1
50	A201207000H	COVER -CRISPER	1		
51	A201178000B	SLIDE, HUMIDITY CONTROL BLUE	1	1	1
52	A201391000C	SHELF- FLIP UP	3	3	3
53	A201331000C	TRAY-ICE	2	2	2
54	A201034000E	TRIVET, FC	1	1	1
55	A201068000J	FREEZER FLOOR-INTEGERATED, HIPS	1	1	1
56	A201001000G	TRIVET- RC, SHALLOW	1	1	1
56	A201232000E	DOOR TRIVET- MIDDLE, RC- CLEAR	1	1	
57	A201391000C	SHELF- FLIP UP	3	3	3
58	A201139000A	TRAY - EGG	2	2	2
60	A203521000A	RETAINER, BOTTLE, 220/250L-BLUE	1	2	
60	A201671000B	RETAINER- BOTTLE, 285L BLUE			1
61	A201008000G	TRIVET- RC- DEEP	1	1	1
62	A201608000A	ICE BUCKET ASSLY NEW GRAPHICS	1	1	1

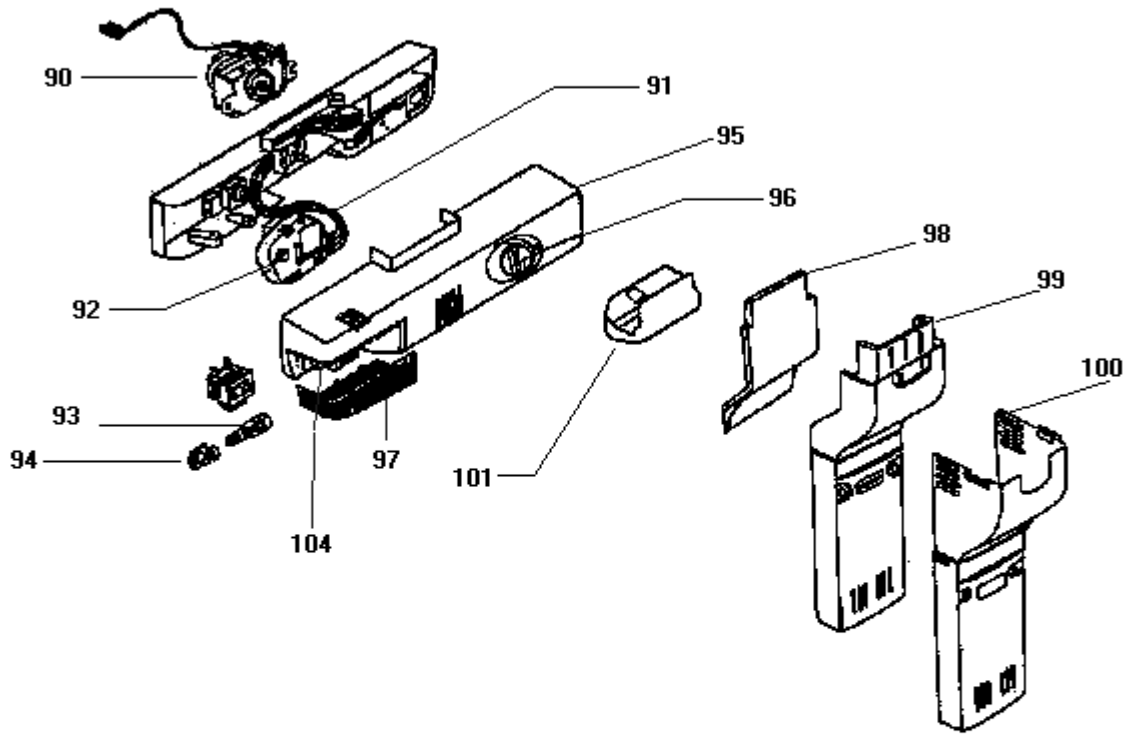
### 8.30 Freezer Compartment Assembly :



## 8.31 FREEZER COMP. ASSY. PARTS LIST

SL_NO	Part_No	description	4428	4429	4440
65	A2013780000	SOUND DEADENING- EVAPORATOR	1	1	1
66	97918330000	BI-METAL CLIP	1	1	1
67	A201476000A	WEDGE ,EVAP MOUNTING- LH	1	1	1
68	A201475000D	WEDGE ,EVAP MOUNTING- RH	1	1	1
69	A201703000C	EVAPORATOR ASSY - MATSUSHITA	1	1	1
70	A201064000B	DEFROST HEATER	1	1	1
71	A2014770000	CLIP-DEFROST HEATER	2	2	2
72	A2017490000	FAN MOTOR-MI, ENCAPSULATED	1	1	1
73	A201179000C	BLADE -FAN, EVAPORATOR	1	1	1
74	5319330000	GROMMET FAN MTG	2	2	2
75	A201493000H	COVER EVAP, FRONT	1	1	1
76	A201495000C	KNOB -FREEZER CONTROL	1	1	
77	A2012550000	GASKET- EVAPORATOR COVER,BOTTOM	1	1	1
78	A2013560000	SCREW- HEX WASHER HEAD	13	10	10
79	A201164000A	GASKET- EVAP COVER ,SIDE	2	2	2
80	A2011630000	GASKET -EVAP COVER ,TOP	1	1	1
82	A203556000E	WIRING ASSY- CABINET- 220L, DOMESTIC	1		
82	A203558000D	WIRING ASSY- CABINET 250/285L		1	1
87	A2016360000	BODY- AIR DIFFUSER, FRONT	1		1
87	A2035250000	BODY- AIR DIFFUSER, FRONT- 250L		1	
88	A2011115	GASKET- AIR SEPERATOR, TOP	1		
89	A2011160000	GASKET- AIR SEPERATOR, BOTTOM		1	

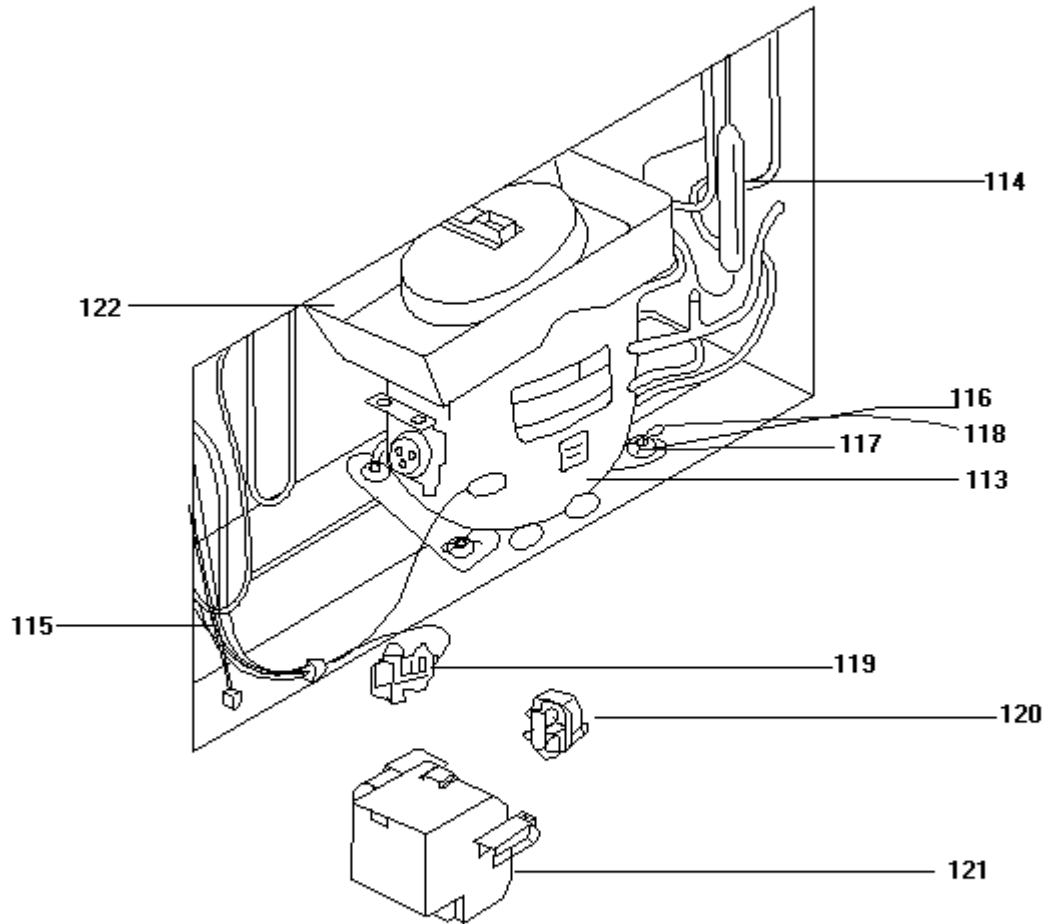
## 8.40 Box Assembly :



## 8.41 CONTROL BOX ASSY. PARTS LIST

SL_NO	Part_No	description	4428	4429	4440
90	A2016940000	THERMOSTAT WT ASSY -285L, SIEBE			1
90	A2016950000	THERMOSTAT WT ASSY -250L, SIEBE		1	
90	A2016960000	THERMOSTAT WT ASSY -220L, SIEBE	1		
91	A203569000C	WIRING ASSY- CONTROL BOX- BAT	1	1	1
92	A203564000B	DEFROST TIMER, 8 HRS- 7 MIN (BAT)	1	1	1
93	A201346000D	BULB, E14, 220V	1	1	1
94	A2014490000	SOCKET ASSY- LIGHT	1	1	1
95	A2098000000	CONTROL BOX ASSY, 220L 2G, DUBAI	1		
95	A2098090000	CONTROL BOX ASSEMBLY- 285L 2G, DUBAI			1
95	A2098060000	CONTROL BOX ASSY- 250L 2G, DUBAI		1	
98	A2035880000	AIR DIFFUSER- REAR- 250/285L	1	1	1
99	A2035250000	BODY- AIR DIFFUSER, FRONT- 250L		1	
99	A2016360000	BODY- AIR DIFFUSER, FRONT	1		1
100	A201039000F	COVER - AIR DIFFUSER	1	1	1
101	A201037000A	LIGHT LENS	1	1	1
103	A2013550000	SCREW- HEX HEAD, HI-LO SEMS	2	2	2
104	A201616000A	SHIELD, ELECTRICAL LIGHT	1	1	1
105	A201361000B	SCREW- PHILIPS PAN HEAD	16	16	9
106	A201377000A	SCREW -HEX WASHER HEAD	2	4	6
107	A201437000A	PUSHNUT	1	1	1
108	A201471000A	FOIL- CONTROL BOX	1	1	1
109	A201492000B	COVER EVAP, BACK	1	1	1
110	A201566000A	DAMPER, FREEZER CONTROL- 220/250L	1	1	
110	A201494000C	DAMPER -FREEZER CONTROL			1
111	A2016380000	GROMMET SOUND DEADENING- BACK	4	4	4
112	A2016370000	GROMMET SOUND DEADENING- FRONT	2	2	2

# 8.50 Compressor Assembly :



## 8.51 COMPRESSOR ASSY. PARTS LIST

SL_NO	Part_No	description	4428	4429	4440
113	A2035890000	COMPRESSOR MATSUSHITA, QB66	1	1	1
115	A2017010000	WIRE ASSY UNIT INTMD, HK P.CORD, MSHITA	1	1	1
116	A201105000B	GROMMET- COMPRESSOR	4	4	4
117	A201441000A	SHIM-MOUNTING CLIP COMPRESSOR	8	8	8
118	A201435000A	CLIP-COMPRESSOR MOUNTING	4	4	4
122	A203583000B	TRAY- EVAPORATING, QB66 (MATSUSHITA)	1	1	1
123	A201030000E	COVER - UNIT- MTG	1	1	1
131	A2111570000	LABEL WIRING DIAGR,220/250/285,SL/B'DESH	1	1	1